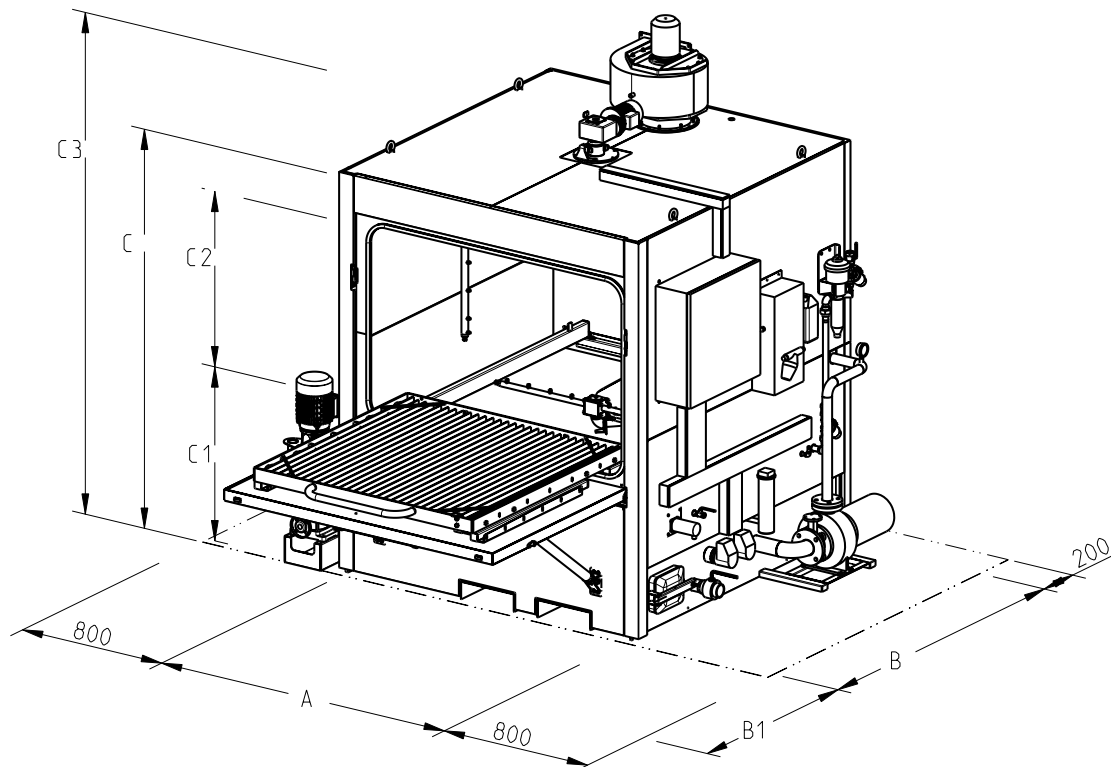


Main technical data for aqueous spray cleaning machines types AS-100 and AS-150.



MAIN DIMENSIONS (mm)		AS-100	AS-150
Width	A	1700	2210
Depth	B	1330	1830
	B1	950	1140
Height	C	2050	2320
	C1	850	910
	C2	700	900
	C3	2180	2640
Load Carriage	L x W	900	1300



TECHNICAL DATA		AS-100	AS-150
Tank volume	l	500	1050
Heating capacity	kW	12	24
Pump flow	l/min	240	440
Pump pressure	bar	4.0	4.5
Pump motor	kW	4.0	7.5
Max. component dimensions	L x W ^{mm}	900	1300
	Height ^{mm}	700	900
	Diam. ^{mm}	900	1300
	Weight ^{kg}	500	700
Machine weight	kg	700	1200
Connection power	kW	17	25