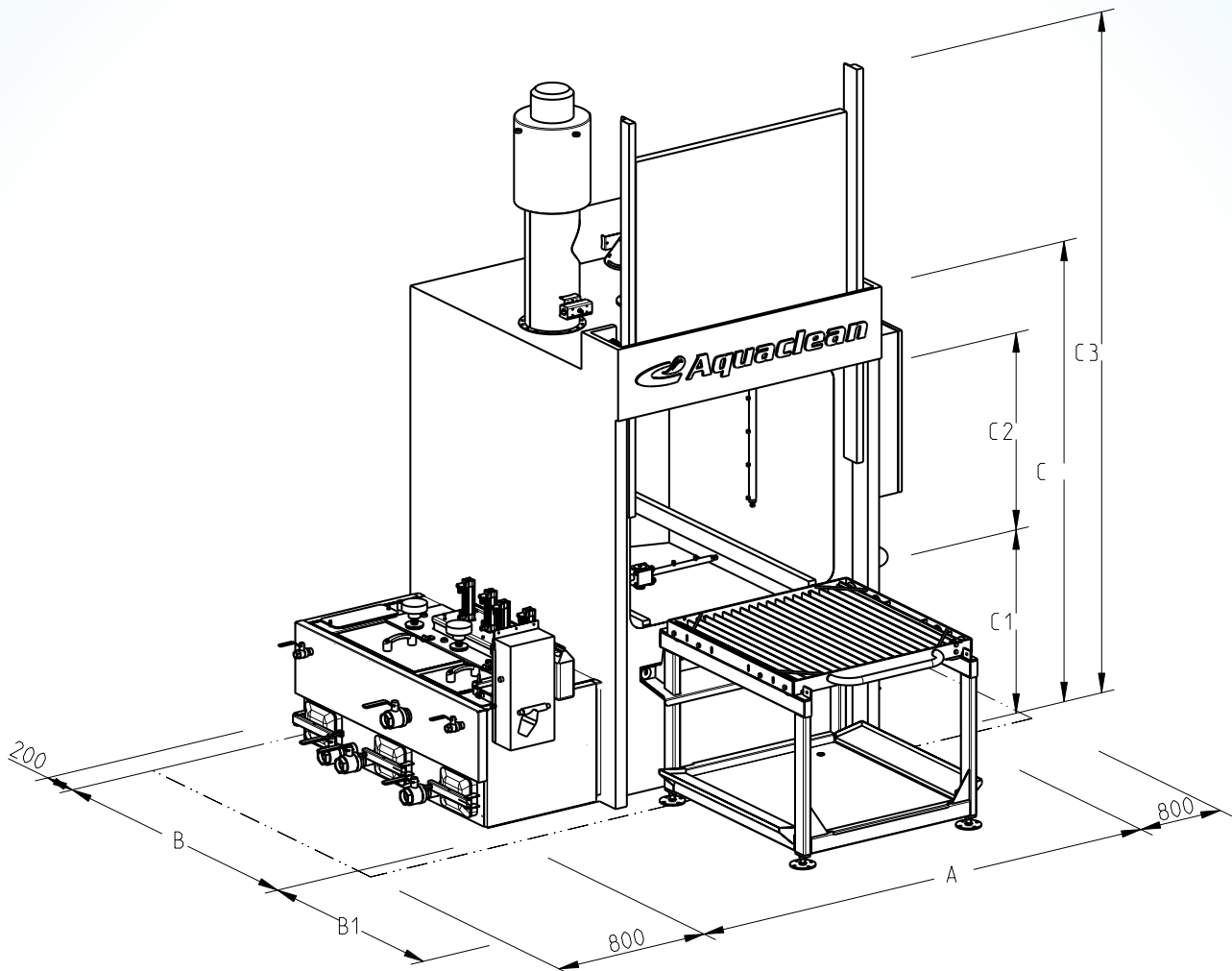


Main technical data for an aqueous spray cleaning machine, for cleaning heights 900, 1200, 1500 and 1800 mm.



MAIN DIMENSIONS (mm)		AC-2.9-3LD (C2=900)	AC-2.9-C12-3LD (C2=1200)	AC-2.9-C15-3LD (C2=1500)	AC-2.9-C18-3LD (C2=1800)
Width	A	5150	5150	5150	5150
Depth	B	3290	3290	3290	3290
	B1	2770	2770	2770	2770
Height	C	2550	2850	3150	3450
	C1	1080	1080	1080	1080
	C2	900	1200	1500	1800
	C3	3650	4250	4850	5450
Load Carriage	L x W	2400	2400	2400	2400



TECHNICAL DATA		AC-2.9-3LD (C2=900)	AC-2.9-C12-3LD (C2=1200)	AC-2.9-C15-3LD (C2=1500)	AC-2.9-C18-3LD (C2=1800)
Tank volume l	Tank 1	2000	2000	2000	2000
	Tank 2	1600	1600	1600	1600
	Tank 3	1500	1500	1500	1500
Heating capacity kW	Tank 1	72	72	72	72
	Tank 2	36	36	36	36
	Tank 3	36	36	36	36
Pump flow l/min	Stage 1	820	880	940	1000
	Stage 2	570	610	650	690
	Stage 3	570	610	650	690
Pump pressure bar	Stage 1	6.5	6.5	6.5	6.5
	Stage 2	3.0	3.0	3.0	3.0
	Stage 3	3.0	3.0	3.0	3.0
Pump motor kW	Stage 1	18.5	18.5	18.5	18.5
	Stage 2	7.5	7.5	7.5	7.5
	Stage 3	7.5	7.5	7.5	7.5
Max. component dimensions	L x W mm	2400	2400	2400	2400
	Height mm	900	1200	1500	1800
	Diam. mm	2700	2700	2700	2700
	Weight kg	4000	4000	4000	4000
Machine weight	kg	5400	5600	5800	6000
Connection power	kW	145	145	145	145