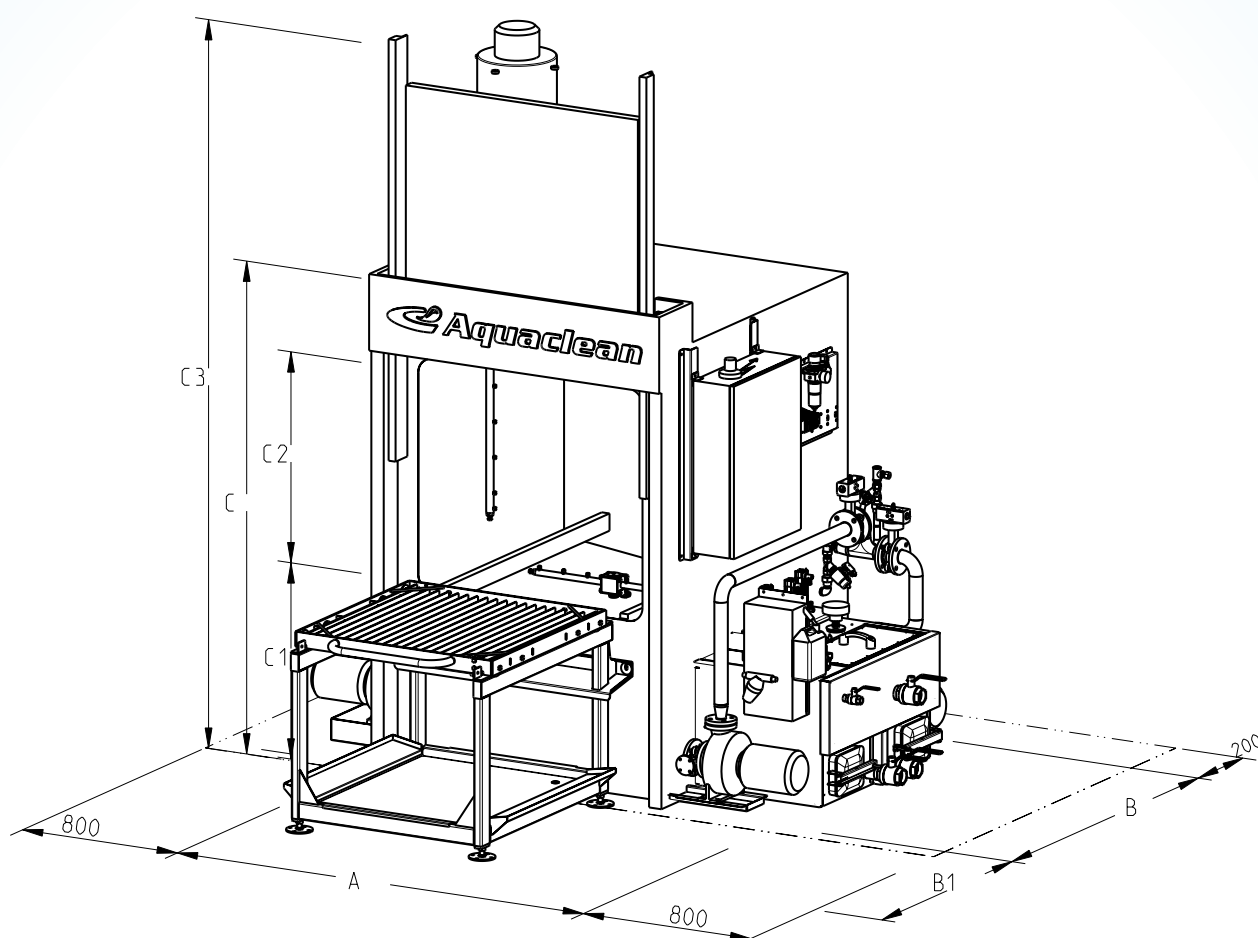
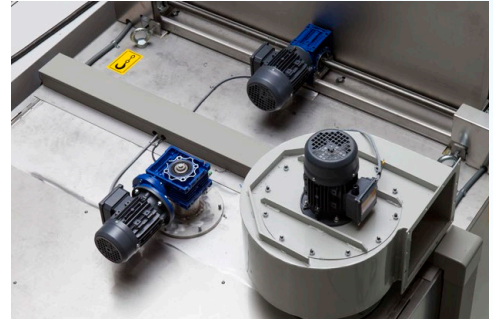


Main technical data for an aqueous spray cleaning machine, for cleaning heights 900, 1200, 1500 and 1800 mm.



MAIN DIMENSIONS (mm)		AC-2.9-2LD (C2=900)	AC-2.9-C12-2LD (C2=1200)	AC-2.9-C15-2LD (C2=1500)	AC-2.9-C18-2LD (C2=1800)
Width	A	4340	4340	4340	4340
Depth	B	3290	3290	3290	3290
	B1	2770	2770	2770	2770
Height	C	2550	2850	3150	3450
	C1	1080	1080	1080	1080
	C2	900	1200	1500	1800
	C3	3650	4250	4850	5450
Load Carriage	L x W	2400	2400	2400	2400



TECHNICAL DATA		AC-2.9-2LD (C2=900)	AC-2.9-C12-2LD (C2=1200)	AC-2.9-C15-2LD (C2=1500)	AC-2.9-C18-2LD (C2=1800)
Tank volume l	Tank 1	2600	2600	2600	2600
	Tank 2	2000	2000	2000	2000
Heating capacity kW	Tank 1	72	72	72	72
	Tank 2	36	36	36	36
Pump flow l/min	Stage 1	820	880	940	1000
	Stage 2	570	610	650	690
Pump pressure bar	Stage 1	6.5	6.5	6.5	6.5
	Stage 2	3.0	3.0	3.0	3.0
Pump motor kW	Stage 1	18.5	18.5	18.5	18.5
	Stage 2	7.5	7.5	7.5	7.5
Max. component dimensions	L x W ^{mm}	2400	2400	2400	2400
	Height ^{mm}	900	1200	1500	1800
	Diam. ^{mm}	2700	2700	2700	2700
	Weight ^{kg}	4000	4000	4000	4000
Machine weight	kg	5200	5300	5500	5700
Connection power	kW	117	117	117	117