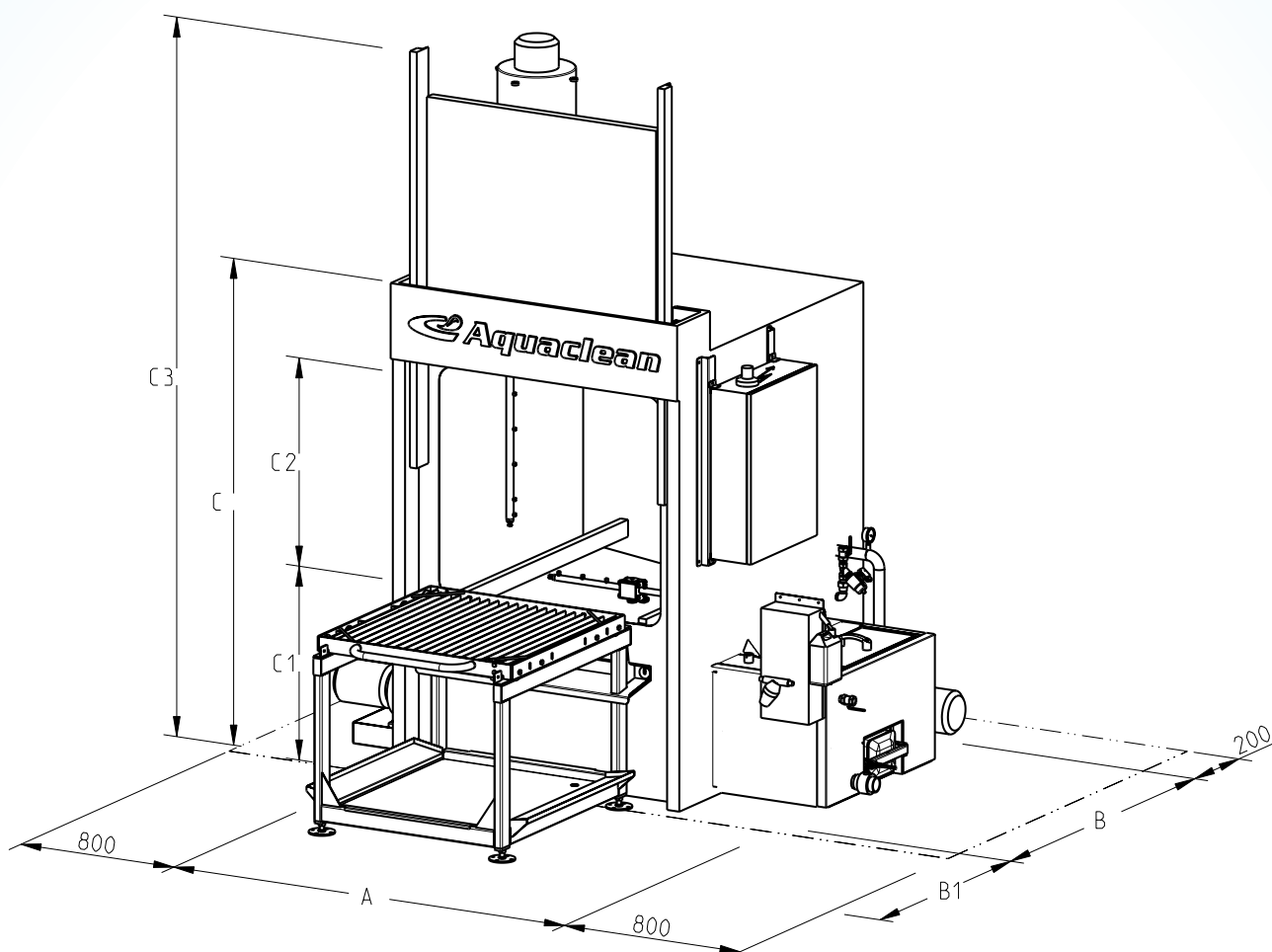


Main technical data for an aqueous spray cleaning machine, for cleaning heights 900, 1200, 1500 and 1800 mm.



MAIN DIMENSIONS (mm)		AC-2.5LD (C2=900)	AC-2.5-C12LD (C2=1200)	AC-2.5-C15LD (C2=1500)	AC-2.5-C18LD (C2=1800)
Width	A	3470	3470	3470	3470
	B	2790	2790	2790	2790
Depth	B1	2270	2270	2270	2270
	C	2420	2720	3020	3320
Height	C1	910	910	910	910
	C2	900	1200	1500	1800
	C3	3390	3990	4590	5190
Load Carriage	L x W	2000	2000	2000	2000



TECHNICAL DATA		AC-2.5LD (C2=900)	AC-2.5-C12LD (C2=1200)	AC-2.5-C15LD (C2=1500)	AC-2.5-C18LD (C2=1800)
Tank volume	l	2300	2300	2300	2300
Heating capacity	kW	48	48	48	48
Pump flow	l/min	620	670	720	770
Pump pressure	bar	5.0	5.0	4.8	4.8
Pump motor	kW	11	11	11	11
Max. component dimensions	L x W mm	2000	2000	2000	2000
	Height mm	900	1200	1500	1800
	Diam. mm	2300	2300	2300	2300
	Weight kg	2000	2000	2000	2000
Machine weight	kg	2740	2870	3000	3130
Connection power	kW	49	49	49	49